

HP: 5 RPM 1725 AMPS 21 VOLT 230 PHASE 1 Hz 60

MOTOR ENCLOSURE: OPEN DRIP-PROOF

CONTROL TYPE: DUAL CONTROL - START / STOP OR CONSTANT RUN

CONTROL PRESS. SET 125 (PSI) CUT IN, 150 (PSI) CUT OUT

OPTIONS: _____

MODEL NUMBER: G5E - 30P TANK SIZE: 30

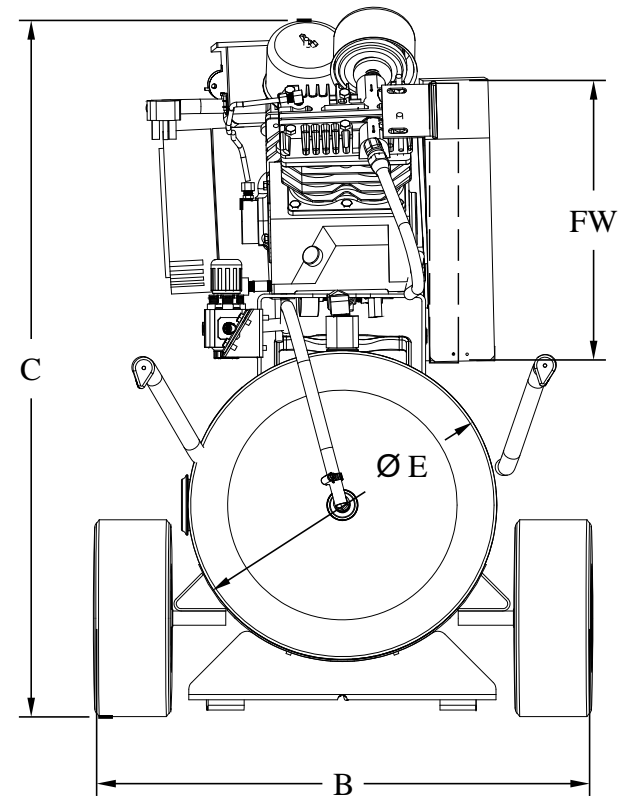
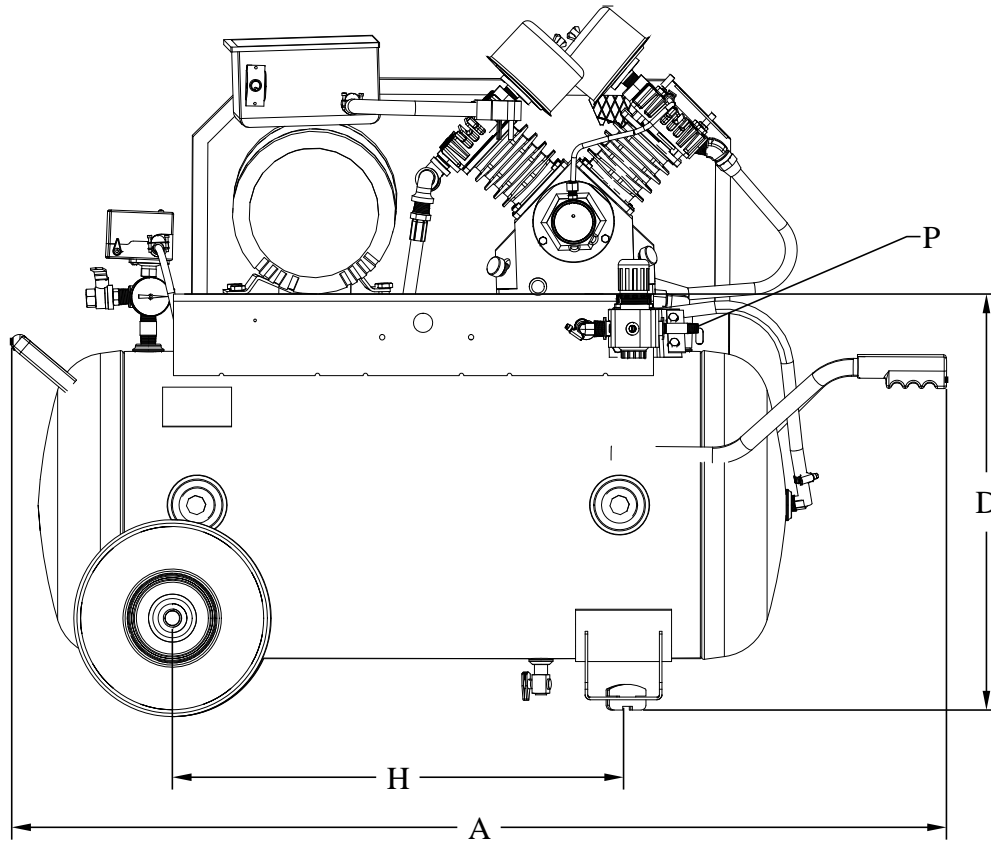
DISPLACEMENT CFM: 27.8 @ 1020 RPM

CFM-FA: 18.3 @ 100 PSI DISCHARGE

MAX, WORKING PSI: 150

SHIPPING CONTAINER: _____

LENGTH: _____ WIDTH: _____ HEIGHT: _____



DIMENSIONAL DATA (INCHES)

A	B	C	D	E	G	H	J	FW	P	Z
48	26	36	22	16	---	23 1/2	---	10 3/8	3/8 NPT	---

Jenny
AIR COMPRESSOR

JENNY PRODUCTS, INC.
850 North Pleasant Avenue
Somerset, Pennsylvania 15501
Ph : 814 - 445 - 3400